



HOSHIZAKI

CERTIFICATION



HACCP International



ISO9001

FM-120KS-HC FLAKE ICE MAKER



Key Features

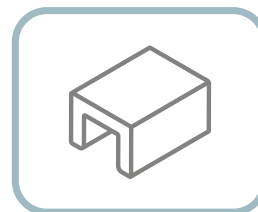


NATURAL
REFRIGERANTS

**Eco-Friendly
Refrigerant**



Easy for maintenance
Notify when parts should
be replaced



**Stainless Steel
Exterior**

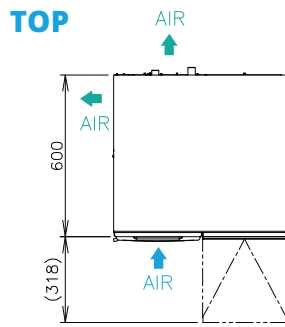


**Stainless Steel &
Greaseless Auger**

Our Flake & Nugget Ice Makers belong to the true allrounders of the Hoshizaki product line-up. These powerful, durable and sustainable machines are highly popular across different market segments, such as in food preparation / processing, as well as in hotels, bars, restaurants and catering businesses.



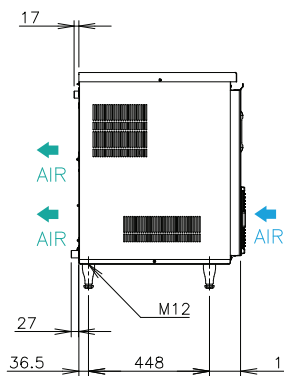
Dimensions & Specifications



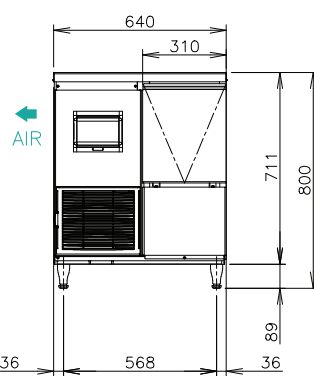
**ICE SHAPE
FLAKE**



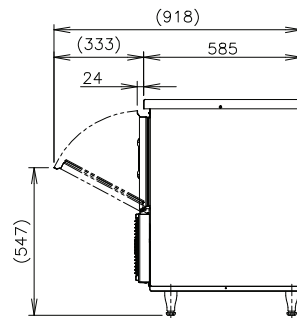
LEFT SIDE



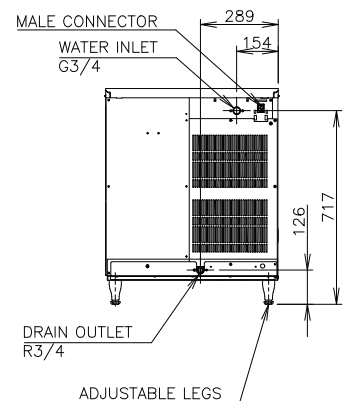
FRONT



RIGHT SIDE



BACK



| MODEL | | FM-120KS-HC |
|---------------------------|-------------------|---|
| ICE SHAPE | | Flake Ice |
| POWER SUPPLY | | 1 Phase 220-240V 50Hz Capacity: 0.53kVA (2.2A) |
| AMPERAGE | | 2.2A Started: 8.8A |
| ELECTRIC CONSUMPTION | | 353W |
| HEAT REJECTION | (AT32°C / WT21°C) | 820W |
| ICE PRODUCTION PER 24H | (AT10°C / WT10°C) | 137kg |
| | (AT21°C / WT15°C) | 119kg |
| | (AT32°C / WT21°C) | 88kg |
| STORAGE CAPACITY | | Approx. 26kg |
| WATER CONSUMPTION PER 24H | (AT32°C / WT21°C) | 95L |
| REFRIGERANT | | R290 / 85g |
| OUTSIDE DIMENSIONS | | 640mm(W) x 600mm(D) x 800(- 833)mm(H) |
| PACKAGE | | Carton 746mm(W) x 706mm(D) x 887mm(H) |
| WEIGHT | | 62kg (Gross 76kg) |
| OPERATING CONDITIONS | | Ambient Temp:5-40°C, Water Supply Temp:5-35°C, Water Supply Pressure: 0.05-0.78MPa, Voltage Range: Rated Voltage±6% |



HOSHIZAKI

HOSHIZAKI SINGAPORE PTE. LTD.

18 Boon Lay Way #01-102 Tradehub21, 609966

TEL 6225 2612 FAX 6225 3219

www.hoshizaki.com.sg

